

# KCM-XJ4M

KCM-XJ4 4  
 PID 4

- 1
  - 1 CU50 Pt100 K E J T S
  - 2 0 5V -1999 9999 4 20mA -1999 9999
  - 3 NTC 10K3950 NTC 100K3950 KTY84130
- 2 PID
- 3 4-20mA
- 4  $\pm 0.5\%F S_{\pm 1}$   $\pm 2$
- 5 AC85 242V 50/60Hz 5W
- 6 0~50 85 RH

1. ALM1

2. OUT

3 CH1

4 CH2

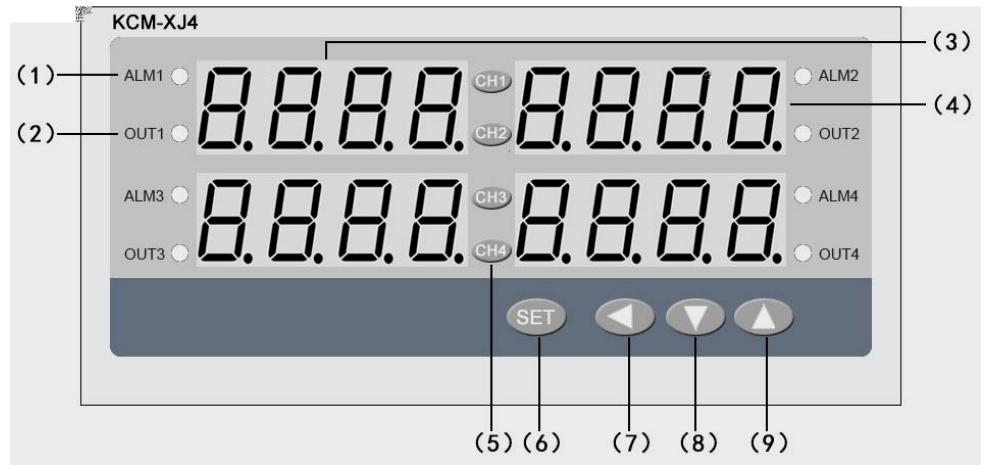
5.

6.

7.

8.

9.





5-1

ID					
0	LocL		0 50	18 SP HY 1	18
1	t		0~120	PID	10
2	oPb		0 1	0. 1.RS485 /RS232	0
3	Rdd		1 64		1
4	bAud		0 3	0 1200 1 2400 2 4800 3 9600	9600
1 2 , 5n1 5nc					
5	5n		---	5-1.2	
6	ALP		0 6	0 1 2 3 4 5 6	1
7	SP			P-SL	
8	RL			P-SH AL-P AL-P=0	
9	SL		± 20.0		0
10	P		0 200.0	, P , P=0 5-2	15.0
11	I		0 3000		240
12	d		0 200S		30
13	RL		0 1	ON OFF	0
14	HY		0.1 50.0		1.0
15	LoL		0 1	0 1	0
16	dP		0 1	0 ; 1	0
17	PSH				
18	PSL				

5-1.2

	Cu50(LU50) -50.0 150.0	Pt100(PLZ) -199.9 600.0
	K(L) -30.0 1300	E(L) -30.0 700.0
	T(L) -199.9 400.0	S(L) -30 1600
	0 5V/0 10mA(0-5u)	1 5V/4 20mA(i-5u)
	PSH PSL	

5-2

OUT				
		OUT	OUT	
	$P=0; COL=0;$	$SP + HY$	$SP - HY$	
	$P=0; COL=1$	$SP - HY$	$SP + HY$	
5-1	7: $SP$	10: $P$	14: $HY$	15: $COL$ OUT

1  
SP=95, HY=5, COL=0, P=0

90 OUT

100 OUT

2  
SP=95, HY=5, COL=1, P=0

100 OUT

90 OUT

PS : \_\_\_\_\_ - \_\_\_\_\_ /2=HY \_\_\_\_\_ + \_\_\_\_\_ /2=SP

P I D

PT100

SP N Hy N 0.5 1 , AT+N ON  
20-60

N AT+N

P

I D

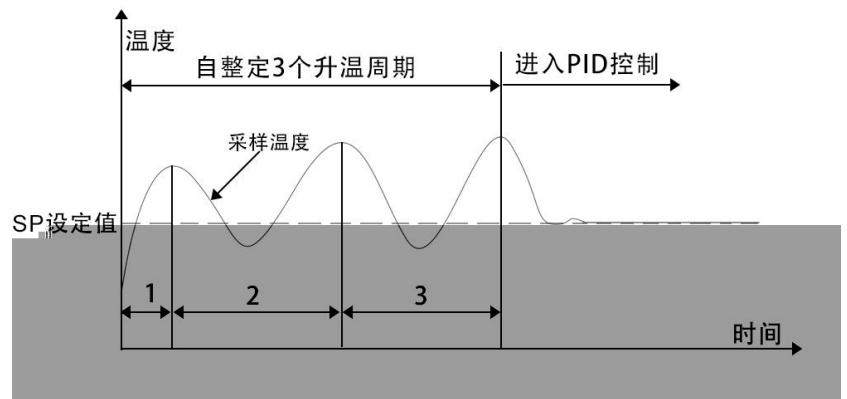
N

AT+N

AT+N  
PID

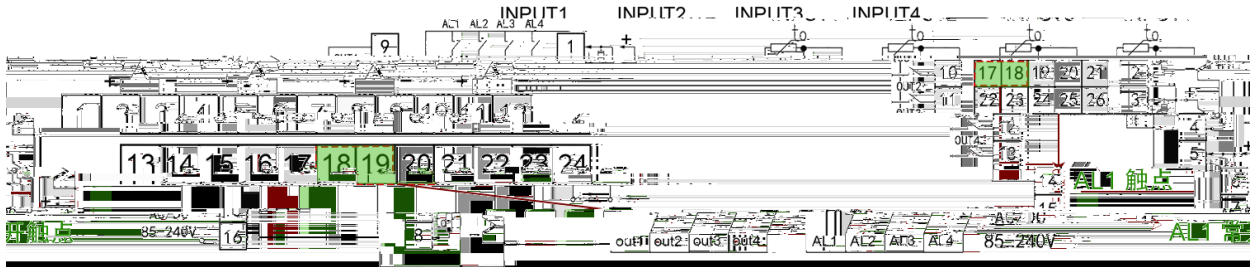
0

AT 0



1:	$RLP=1$	PV1 $ALI$	$PV1 < ALI - HYI$
2:	$RLP=2$	PV1 $ALI$	$PV1 > ALI + HYI$
3:	$RLP=3$	PV1 $SPi + ALI$	$PV1 < SPi + ALI - HYI$
4:	$RLP=4$	PV1 $SPi - ALI$	$PV1 > SPi - ALI + HYI$

5:	<i>ALP=5</i>		PV1 <i>SPI - ALI</i> PV1 <i>SPI + ALI</i>
			<i>SPI - ALI + HYI</i> < PV1 < <i>SPI + ALI - HYI</i>
6:	<i>ALP=6</i>		<i>SPI - ALI</i> PV1 <i>SPI + ALI</i>
			PV1 < <i>SPI - ALI - HYI</i> PV1 > <i>SPI + ALI + HYI</i>
PV1 PV2		1 2	5-1 7: <i>SPI</i> 8: <i>ALI</i> 14: <i>HYI</i> 6: <i>ALP</i>

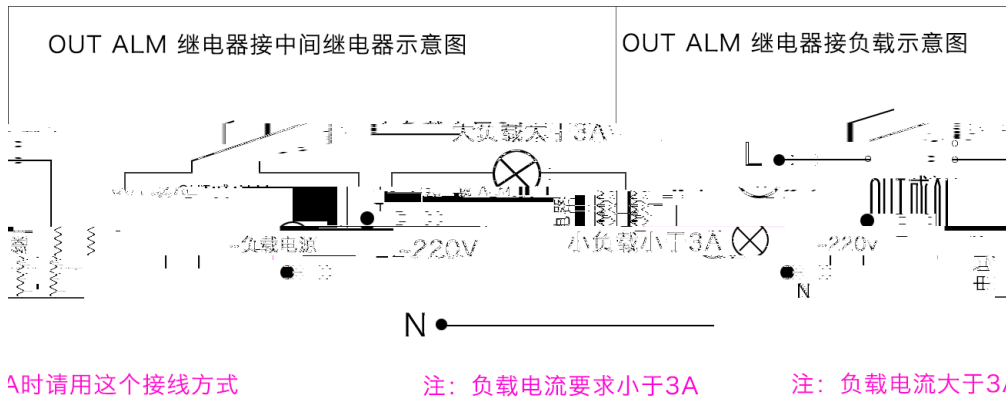


8-1

		1	1
HH	LL	2	2

1

A	B	C	D	E	F	G	H	I	J	K	L	M
<i>A</i>	<i>b</i>	<i>c</i>	<i>d</i>	<i>E</i>	<i>F</i>	<i>G</i>	<i>H</i>	<i>I</i>	<i>J</i>	<i>K</i>	<i>L</i>	<i>M</i>
N	O	P	Q	R	S	T	U	Y				
<i>n</i>	<i>o</i>	<i>P</i>	<i>q</i>	<i>r</i>	<i>S</i>	<i>t</i>	<i>u</i>	<i>y</i>				



3

第一步：修改仪表输入类型

1 仪表正常显示

2 进入二级菜单

传感器类型对照表

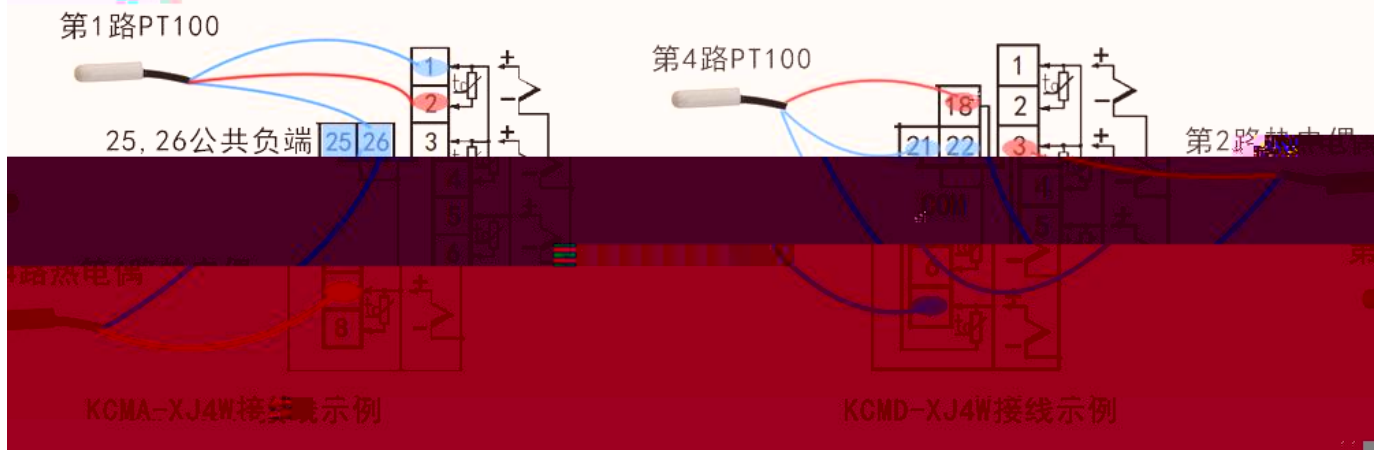
Cu50	CU50	Pt100	Pt2
K	K	E	E
J	J	S	S
t	t	r	r
0~10mA	0_5U	4~20mA	4_5U

轻按 CH1 CH2 键进入相应通道

按 SET 键保存并退出菜单

键修改传感器类型

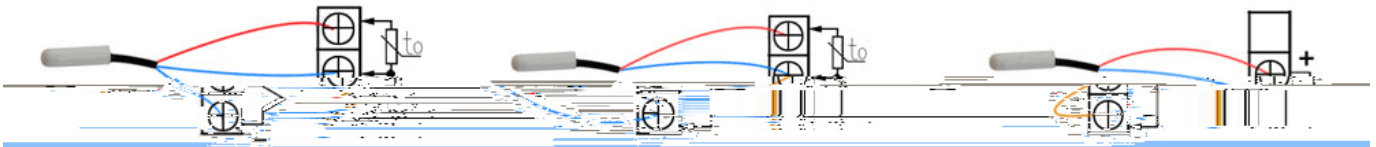
第二步：传感器接入仪表



三线制PT100/CU50接线方法

二线制PT100/CU50接线方法

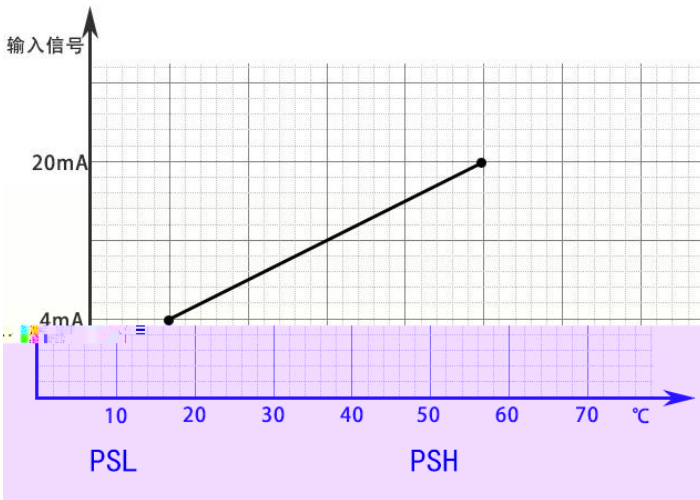
热电偶K/E/J/T/S接线方法



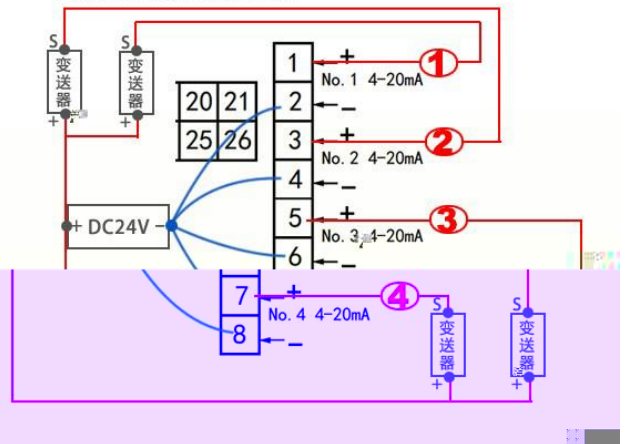
KCM KCMR 系列温控仪接线示例

4-20mA

PSH PSL " 5-1 17 18"



二线制变送器接线方式举例:



4 ModbusRTU

1	PC	PLC		RS485	RS232		255
2	1	1200	2400	4800	9600	1	8
	2						
1							

	(	03)		0001	CRC16
010310010001D10A					
01	03	1001(	)0001	0001	D10A CRC CRC
	5	CRC	C++		

		2		CRC16	
0103027FFF834					
01	03	02(	2	)7FFF	D834 CRC
7FFF	10	32767			

3		126		
	(	06)	00xx	CRC16





```

void CRC16_S(byte[] data, int len)
{
    byte CRC16Lo;
    byte CRC16Hi; //CRC寄存器
    byte CL; byte CH; //多项式码&HA001
    byte SaveHi; byte SaveLo;
    int Flag;
    CRC16Lo = 0xFF;
    CRC16Hi = 0xFF;

    for (int i = 0; i < len; i++)
    {
        CL = (byte)(data[i] << 4);
        CH = (byte)(data[i] >> 4);

        CRC16Lo = (byte)(CRC16Lo >> 1); //低位右移一位
        if ((SaveHi & 0x01) == 0x01) //如果高位字节最后一位为1
        {
            CRC16Lo = (byte)(CRC16Lo ^ 0x80); //则低位字节右移后前面补1
        }
        //否则自动补0
        if ((SaveLo & 0x01) == 0x01) //如果LSB为1, 则与多项式码进行异或
        {
            CRC16Hi = (byte)(CRC16Hi ^ CH);
            CRC16Lo = (byte)(CRC16Lo ^ CL);
        }
        SaveHi = CRC16Hi;
        SaveLo = CRC16Lo;
    }
    //如果是modbus协议的话, 应该是第一位是低位, 第二位是高位
    data[len++] = CRC16Lo; //CRC低位
    data[len] = CRC16Hi; //CRC 高位
}

```

## 6 MODBUS PLC

### MODBUS-RTU 配置

网址: [http://tempinst.com/service/real\\_time/50](http://tempinst.com/service/real_time/50)

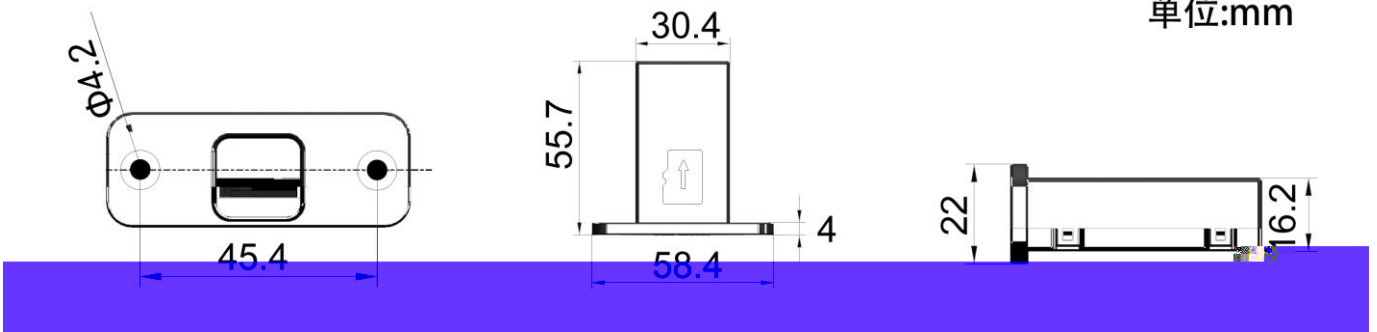
4 Modbus 5

TF  
1 1 1

CSV EXECL

TF SD  
1 1  
1G TF 15,768,000 1  
TF 16G~128G  
0 60.0 , 85%  
5v

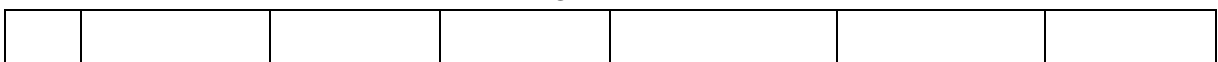
单位:mm



1. 5V DSR DRR GND  
2.  
3. TF  
4. 3600 1 5-1 Rdd 1 1  
5.

3-1

3-1



1	YEAR	YEAR			2000 2099	
2	MTH	MTH			00 12	
3	DAY	DAY			00 31	
4	Hour	HOUR			00 23	
5	MIN	MIN			00 59	

- 1.
- 2.
- 3.
4. TF TF

5

	KC							<input type="checkbox"/>	<input type="checkbox"/>	<input type="checkbox"/>	<input type="checkbox"/>	<input type="checkbox"/>	<input type="checkbox"/>
	160x80mm	:152x76mm	M										
	96x96mm	:92x92mm	MA										
	72x72mm	:68x68mm	MD										
	88x107x59mm DIN 35			MR									
	4			XJ4									
	1				<input type="checkbox"/>								
					1								